

4

Trolley	38
REMA RM adjustable trolleys	42
Beam end buffers	44



REMA 116 push trolley

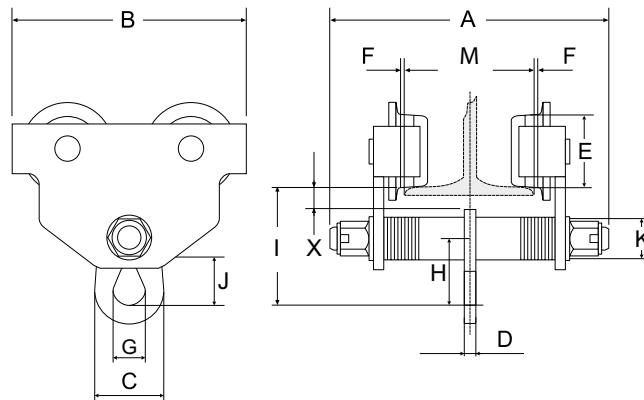


Properties

- Adjustable flange width by moving the adjusting rings.
- Suitable for various I-beams and H-beams.
- Equipped with solid steel machined wheels.
- Maintenance-free bearings.
- Tilting and anti-drop protection provides extra safety.

Norm:

- EN12100-1/2, EN13157



Type	S.W.L. (kg)	Flange width (mm)	Min. radius (mm)	Weight (kg)	ProductId
116-0.5	500	50 - 152	800	6.5	0921001
116-1.0	1000	64 - 203	1000	10.5	0921003
116-2.0	2000	88 - 203	1100	17.5	0921005
116-3.0	3000	100 - 203	1300	27.0	0921007
116-5.0	5000	114 - 203	1400	41.0	0921009

Type	A (mm)	B (mm)	C (mm)	D (mm)	E (mm)	F (mm)	G (mm)	H (mm)	I (mm)	J (mm)	X (mm)
116-0.5	245	199	51	6	55	1.5 - 3	24	37	105	25	25
116-1.0	311	246	62.5	8	68	1.5 - 3	30	46	125	31	31
116-2.0	327	276	76	12	80	1.5 - 3	36	58	150	40	40
116-3.0	343	332	86	13.6	100	1.5 - 3	42	90	171	69	69
116-5.0	355	377	109	16.4	110	1.5 - 3	48	110	196	86	86

REMA 117 geared trolley



Properties

- Adjustable flange width by moving the adjusting rings.
- Equipped with solid steel machined wheels.
- Tilting and anti-drop protection provides extra safety.
- Galvanized hand chain 5 x 23.7.
- Suitable for various I-beam and H-beams.
- 2-axles.

Standard delivery

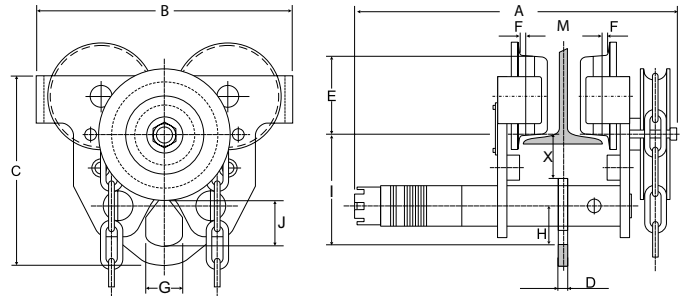
- Operating height 3 meters.

Option

- Every other operating height.

Norm:

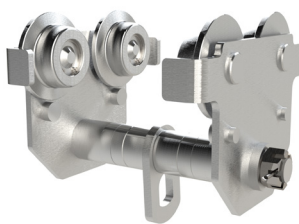
- EN12100-1/2, EN13157, EN818-7



Type	S.W.L. (kg)	Flange width (mm)	Min. radius (mm)	Weight (kg)	ProductId
117-10.0	10.000	124-305	2000	94	0922011
117-20.0	20.000	136-305	3500	174	0922013
117-30.0	30.000	175-305	6000	333	0922015

Type	A (mm)	B (mm)	C (mm)	D (mm)	E (mm)	F (mm)	G (mm)	H (mm)	I (mm)	J (mm)	X (mm)
117-10.0	525	442	396	30	136	2-3.5	92	120	190	137	45
117-20.0	600	555	498	30	175	2-3.5	92	120	233	137	58
117-30.0	640	760	620	40	175	2-3.5	106	130	283	155	68

REMA 118 push trolley stainless steel

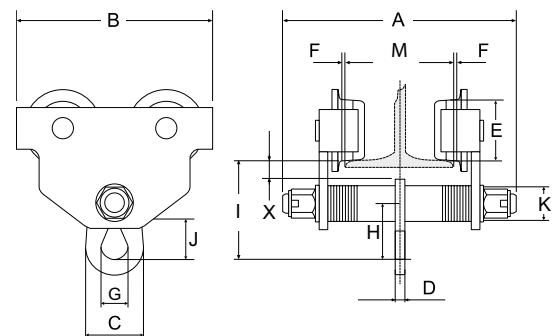


Properties

- Adjustable flange width by moving the adjusting rings.
- Equipped with solid stainless steel wheels.
- Tilting and anti-drop protection provides extra safety.
- Stainless steel AISI-304.

Norm:

- EN12100-1/2, EN13157



Type	S.W.L. (kg)	Flange width (mm)	Min. radius (mm)	Weight (kg)	ProductId
118-500	500	50-152	900	9.5	0922101
118-1000	1000	64-203	1000	13.0	0922103

Type	A (mm)	B (mm)	C (mm)	D (mm)	E (mm)	F (mm)	G (mm)	H (mm)	I (mm)	J (mm)	X (mm)
118-500	244	200	50	8	55	1.5-3.5	24	52.5	111	32	34
118-1000	310	246	62	10	68	1.5-3.5	30	67	138	40	39.5

REMA 211/211BF push trolley



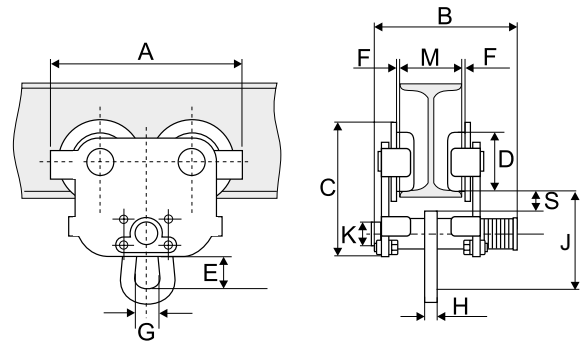
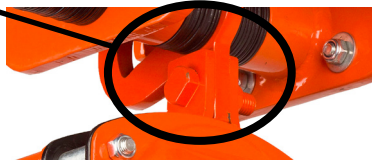
Trolley made of high-quality steel which can be easily mounted.

Properties

- Wheels of the trolley fit both I-beams and H-beams.
- Adjustable flange width by moving the adjusting rings.
- Solid steel wheels with maintenance-free bearings.
- Tilting and anti-drop protection provides extra safety.
- Short construction height in combination with REMA Select 200 OD hoist 0.5 / 1.0 / 2.0T, by link that replaces the upper hook.
- 211 type, standard version.
- 211BF type, wide flange version.

Norm:

- EN12100-1/2, EN13157



Type	S.W.L. (kg)	Flange width (mm)	Min. radius (mm)	Weight (kg)	ProductId
211-0.25-50/152	250	50-152	800	4.6	0924000
211-0.5-50/135	500	50-135	800	6.8	0924001
211-1.0-55/140	1000	55-140	1000	11.2	0924003
211-2.0-65/155	2000	65-155	1100	16.9	0924005
211-3.0-90/160	3000	90-160	1300	28.6	0924007
211-5.0-90/180	5000	90-180	1500	44.8	0924009
211BF-0.5-130/215	500	130-215	800	6.8	0924101
211BF-0.5-215/300	500	215-300	800	6.8	0924102
211BF-1.0-140/215	1000	140-215	1000	11.2	0924201
211BF-1.0-215/300	1000	215-300	1000	11.2	0924202
211BF-2.0-150/230	2000	150-230	1100	16.9	0924301
211BF-2.0-230/300	2000	230-300	1100	16.9	0924302
211BF-3.0-160/230	3000	160-230	1300	28.6	0924401
211BF-3.0-230/300	3000	230-300	1300	28.6	0924402
211BF-5.0-180/230	5000	180-230	1500	44.8	0924501
211BF-5.0-230/300	5000	230-300	1500	44.8	0924502

Type	A (mm)	B (mm)	C (mm)	D (mm)	E (mm)	F (mm)	G (mm)	H (mm)	J (mm)	K (mm)	S (mm)
211-0.25-50/152	188	208	137	50	29	1.5~3	28	6	104	20	27
211-0.5-50/135	205	198	150	55	30	1.5~3	28	8	111	28	27
211-1.0-55/140	242	211	174	68	30	1.5~3	32	10	118	32	28
211-2.0-65/155	270	238	194	80	49	1.5~3	40	12	147	36	27
211-3.0-90/160	325	246	234	100	60	1.5~3	49	14	177	44	29
211-5.0-90/180	370	280	267	110	79	1.5~3	59	16	219	55	29
211BF-0.5-130/215	205	278	150	55	30	1.5~3	28	8	111	28	27
211BF-0.5-215/300	205	363	150	55	30	1.5~3	28	8	111	28	27
211BF-1.0-140/215	242	286	174	68	30	1.5~3	32	10	118	32	28
211BF-1.0-215/300	242	371	174	68	30	1.5~3	32	10	118	32	28
211BF-2.0-150/230	270	313	194	80	49	1.5~3	40	12	147	36	27
211BF-2.0-230/300	270	383	194	80	49	1.5~3	40	12	147	36	27
211BF-3.0-160/230	325	316	234	100	60	1.5~3	49	14	177	44	29
211BF-3.0-230/300	325	386	234	100	60	1.5~3	49	14	177	44	29
211BF-5.0-180/230	370	330	267	110	79	1.5~3	59	16	219	55	29
211BF-5.0-230/300	370	330	267	110	79	1.5~3	59	16	219	55	29

REMA 212/212BF Geared trolley



Trolley made of high-quality steel which can be easily mounted.

Properties

- Wheels of the trolley fit both I-beams and H-beams.
- Adjustable flange width by moving the adjusting rings.
- Solid steel wheels with maintenance-free bearings.
- Tilting and anti-drop protection provides extra safety.
- Short construction height in combination with REMA Select 200 OD hoist 0.5 / 1.0 / 2.0T, by link that replaces the upper hook.
- 211 type, standard version.
- 211BF type, wide flange version.
- Galvanised hand chain 5 x 23,7 mm.

Standard delivery

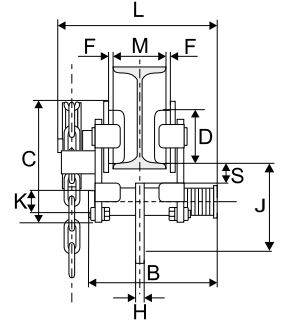
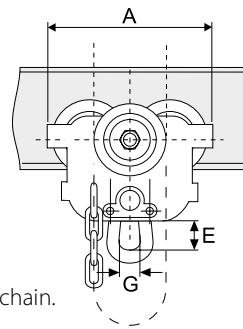
- Operating height 3 meters.

Option

- Longer or shorter operating chain.

Norm:

- EN12100-1/2, EN13157, EN818-7



Type	S.W.L. (kg)	Flange width (mm)	Min. radius (mm)	Weight (kg)	ProductId
212-0.5-50/135	500	50-135	800	8.0	0925001
212-1.0-55/140	1000	55-140	1000	12.4	0925003
212-2.0-65/155	2000	65-155	1100	18.1	0925005
212-3.0-90/160	3000	90-160	1300	30.3	0925007
212-5.0-90/180	5000	90-180	1500	46.5	0925009
212BF-0.5-130/215	500	130-215	800	8.0	0925101
212BF-0.5-215/300	500	215-300	800	8.0	0925102
212BF-1.0-140/215	1000	140-215	1000	12.4	0925201
212BF-1.0-215/300	1000	215-300	1000	12.4	0925202
212BF-2.0-150/230	2000	150-230	1100	18.1	0925301
212BF-2.0-230/300	2000	230-300	1100	18.1	0925302
212BF-3.0-160/230	3000	160-230	1300	30.3	0925401
212BF-3.0-230/300	3000	230-300	1300	30.3	0925402
212BF-5.0-180/230	5000	180-230	1500	46.5	0925501
212BF-5.0-230/300	5000	230-300	1500	46.5	0925502

Type	A (mm)	B (mm)	C (mm)	D (mm)	E (mm)	F (mm)	G (mm)	H (mm)	J (mm)	K (mm)	L (mm)	S (mm)
212-0.5-50/135	205	198	150	55	30	1.5~3	28	8	111	28	239	27
212-1.0-55/140	242	211	174	68	30	1.5~3	32	10	118	32	254	28
212-2.0-65/155	270	238	194	80	49	1.5~3	40	12	147	36	277	27
212-3.0-90/160	325	246	234	100	60	1.5~3	49	14	177	44	287	29
212-5.0-90/180	370	280	267	110	79	1.5~3	59	16	219	55	320	29
212BF-0.5-130/215	205	278	150	55	30	1.5~3	28	8	111	28	239	27
212BF-0.5-215/300	205	363	150	55	30	1.5~3	28	8	111	28	239	27
212BF-1.0-140/215	242	286	174	68	30	1.5~3	32	10	118	32	254	28
212BF-1.0-215/300	242	371	174	68	30	1.5~3	32	10	118	32	254	28
212BF-2.0-150/230	270	313	194	80	49	1.5~3	40	12	147	36	277	27
212BF-2.0-230/300	270	383	194	80	49	1.5~3	40	12	147	36	277	27
212BF-3.0-160/230	325	316	234	100	60	1.5~3	49	14	177	44	287	29
212BF-3.0-230/300	325	386	234	100	60	1.5~3	49	14	177	44	287	29
212BF-5.0-180/230	370	330	267	110	79	1.5~3	59	16	219	55	320	29
212BF-5.0-230/300	370	400	267	110	79	1.5~3	59	16	219	55	320	29

SELECT 30S adjustable trolley



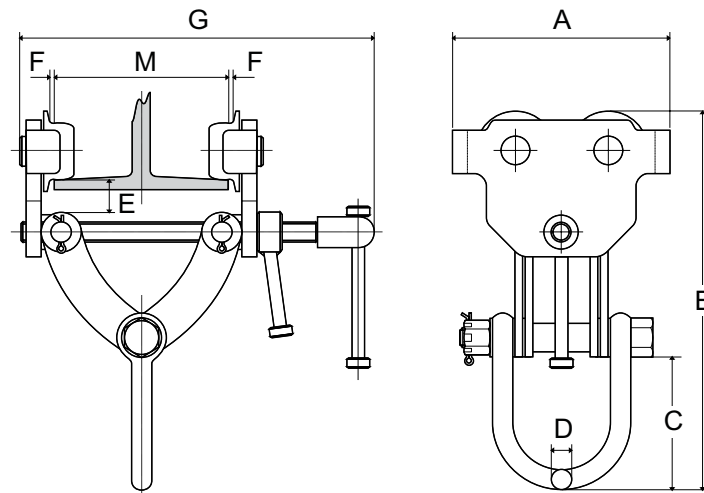
The Rema Select 30 S spindle push trolley is suitable for various steel profiles. They are simple, quick and safe to install, ideal for assembly work.

Properties

- Suitable for flat or bevel profiles.
- Equipped with solid steel wheels with maintenance-free bearings.
- Compact and light weight.
- Quick assembly through threaded adjusting bar.
- Safe by extra locking lever.
- With wheel rupture supports.
- Robust steel version with a low own weight.

Norm:

- EN12100-1/2, EN13157



Type	S.W.L. (kg)	Flange width (mm)	Min. radius (mm)	A (mm)	Bmin (mm)	Bmax (mm)	C (mm)	D (mm)	E (mm)	G (mm)	Weight (kg)	ProductId
S30S 005	500	64 - 203	1100	174	263	324	105	16	25.4	340	6	0918001
S30S 010	1000	63 - 203	1100	174	263	324	105	16	25.4	340	7	0918003
S30S 020	2000	76 - 203	1300	280	339	387	111	22	25.4	340	20	0918005
S30S 030	3000	76 - 203	1400	345	374	438	127	27	26	345	32	0918007
S30S 050	5000	100 - 305	1500	395	450	528	135	35	81	465	53	0918009

REMA RMBT spindle beam trolley



RMBT-2T



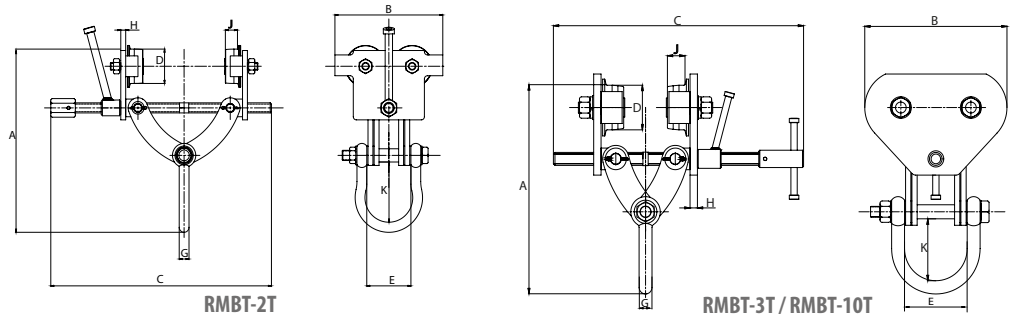
RMBT-3T / RMBT-10T

Properties

- Suitable for flat or bevel profiles.
- Equipped with solid steel wheels with maintenance-free bearings.
- Compact and lightweight.
- Quick assembly through threaded adjusting bar.
- Safe by locking lever.
- With wheel rupture supports.

Norm:

- EN12100-1/2, EN13157



**Weight
RMBT-2T
7 kg**

Type	S.W.L. (kg)	Jaw opening (mm)	A (mm)	B (mm)	C (mm)	D (mm)	E (mm)	G (mm)	H (mm)	J (mm)	K (mm)	Weight (kg)	ProductId
RMBT-2T	2000	76-203	272	176	360	54.5	72	16	8	21	95	7	0940002
RMBT-3T	3000	76-203	381	270	475	82.5	118.5	25.5	14	33	113	25	0940003
RMBT-6T	6000	105-305	429	356	560	125	116	26	16	34	100	52	0940006
RMBT-10T	10.000	160-305	541	430	630	145	119	32	16	41	110	74	0940010

REMA RMSLT self locking beam trolley



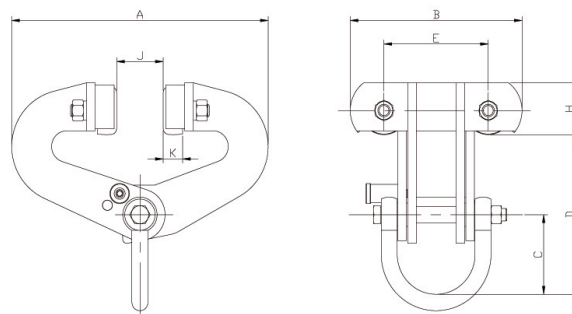
Simple and quick assembly by folding the self-closing trolley close to the flange of the beam.

Properties

- Suitable for flat or bevel profiles.
- Equipped with steel wheels with maintenance-free bearings.
- Compact and lightweight.
- With wheel rupture supports.

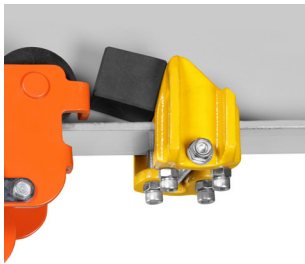
Norm:

- EN12100-1/2, EN13157

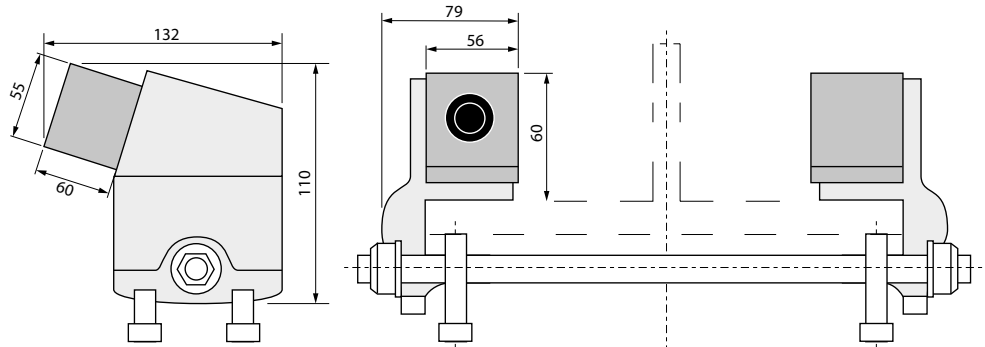


Type	S.W.L. (kg)	Jaw opening (mm)	A (mm)	B (mm)	C (mm)	D (mm)	E (mm)	H (mm)	J (mm)	K (mm)	Weight (kg)	ProductId
RMSLT-3T	3000	76-230	380	280	126	253	170	82	25	32	21	0942003
RMSLT-6T	6000	100-305	500	296	126	290	170	88	30	38	32	0942006
RMSLT-10T	10.000	120-305	600	310	131	290	170	113	44	43	54	0942010

REMA beam end buffers

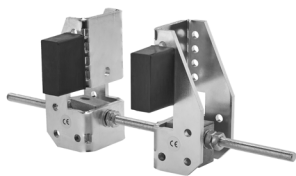


REMA adjustable buffers are applied to a monorail I / H profile track with a flat flange as an addition to your trolley-hoist system.
KB1 = Yellow coated.

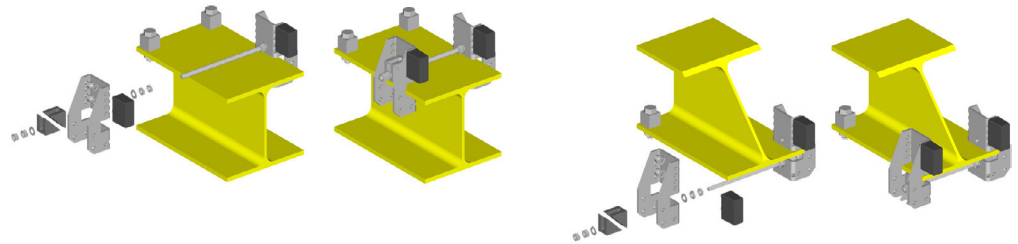


Type	Flange width (mm)	Wheel diameter (mm)	Maximum flange thickness (mm)	Weight (kg)	ProductId
KB1	80-300	60-160	25	3.4	4468000

REMA beam end buffers galvanised



REMA adjustable buffers are applied to a monorail I / H profile track with a flat flange as an addition to your trolley-hoist system.
KB2 galvanised.



Type	Flange width (mm)	Wheel diameter (mm)	Maximum flange thickness (mm)	Weight (kg)	ProductId
KB2	82-300	60-160	7-25	2.5	4468300